

PRODUCT INFORMATION

Item number	KR-3150
Item description	Cordless Handy Vacuum Cleaner

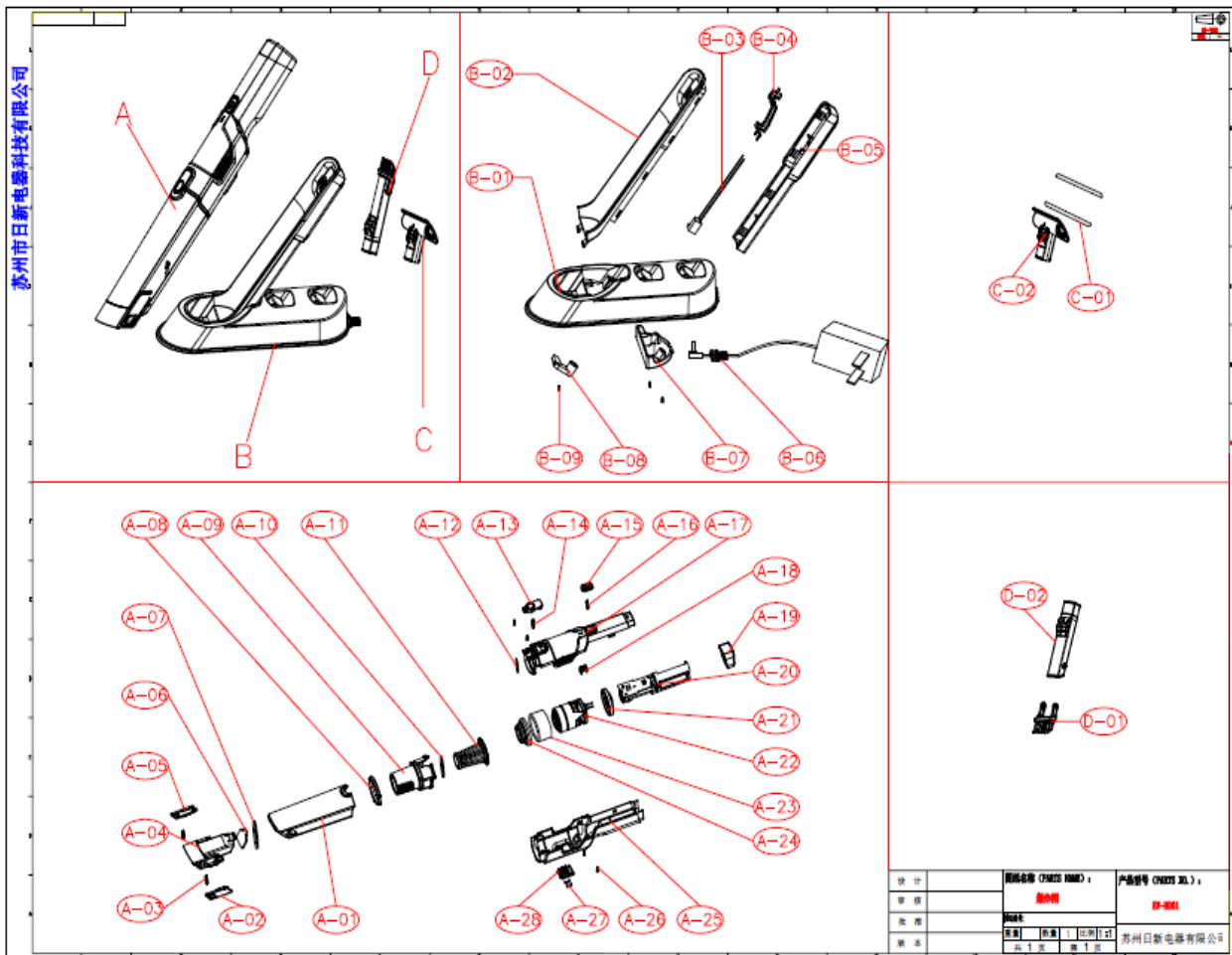
1.1.A The unequivocal identification of the product (type of product, trademark, trade name, model and possibly serial number)



1.1.B A disassembly map or exploded view

Bom list			
Serial number	Name	Quantity	Item No.
A-01	dust cup	1	14.061.01T040-H
A-02	right suction mouth lock	1	11.061.01B010B-H
A-03	spring of suction mouth lock	2	23.061.021010-H
A-04	suction mouth	1	11.061.002S020-H
A-05	left suction mouth lock	1	11.061.03B010B-H
A-06	anti-dust baffle	1	32.061.010000-H
A-07	seal ring of suction mouth	1	33.061.01B000-H
A-08	seal ring of stainless steel filter	1	19.061.01B000-H
A-09	stainless steel filter	1	11.061.04S010-H
A-10	seal ring of HEPA filter	1	33.061.02B000-H
A-11	HEPA filter	1	41.061.JB00100-H
A-12	seal ring of motor front cover	1	33.061.03B000-H
A-13	dust cup lock	1	11.061.007S020-H
A-14	spring of dust cup lock	1	23.693.041011-H
A-15	on/off switch	1	11.061.008S020-H
A-16	spring of on/off switch	1	23.660.011020-H
A-17	top handy cover	1	11.061.09B010B-H
A-18	LED cover	1	14.061.100000-H
A-19	back handy cover	1	11.061.011S020-H
A-20	battery pack	1	63.061.11122-WS5-H
A-21	motor vibration damping ring	1	32.061.020000-H
A-22	BLDC motor	1	64.061.W11190-0DTZ-H
A-23	noise reduction sponge	1	40.061.CB0003-00-H
A-24	seal ring of motor	1	32.061.060000-H

A-25	bottom handy cover	1	11.061.14B010B-H	
A-26	screw	7		
A-27	contact pin	2	27.061.020000-H	
A-28	brace of contact pin	1	11.061.15B010-H	
B-01	charging base	1	11.061.16B000B-H	
B-02	pront cover of charging pole	1	11.061.17B000B-H	
B-03	charging wire	1	63.061.11120-D01-H	
B-04	charging plate	2	27.061.010000-H	
B-05	back cover of charging pole	1	11.061.22B000B-H	
B-06	Adapter		66.061.1450V-2301Q-H	
B-07	wire fasten plate	1	11.061.18B000B-H	
B-08	DC jack fasten plate	1	11.061.19B000B-H	
B-09	screw	3		
C-01	static strip	1	50.061.06B000-070-H	
C-02	small square brush	1	50.061.06B000-070-H	
D-01	nozzle head		50.061.05B000-030-H	
D-02	nozzle	1	11.061.20B000-H	



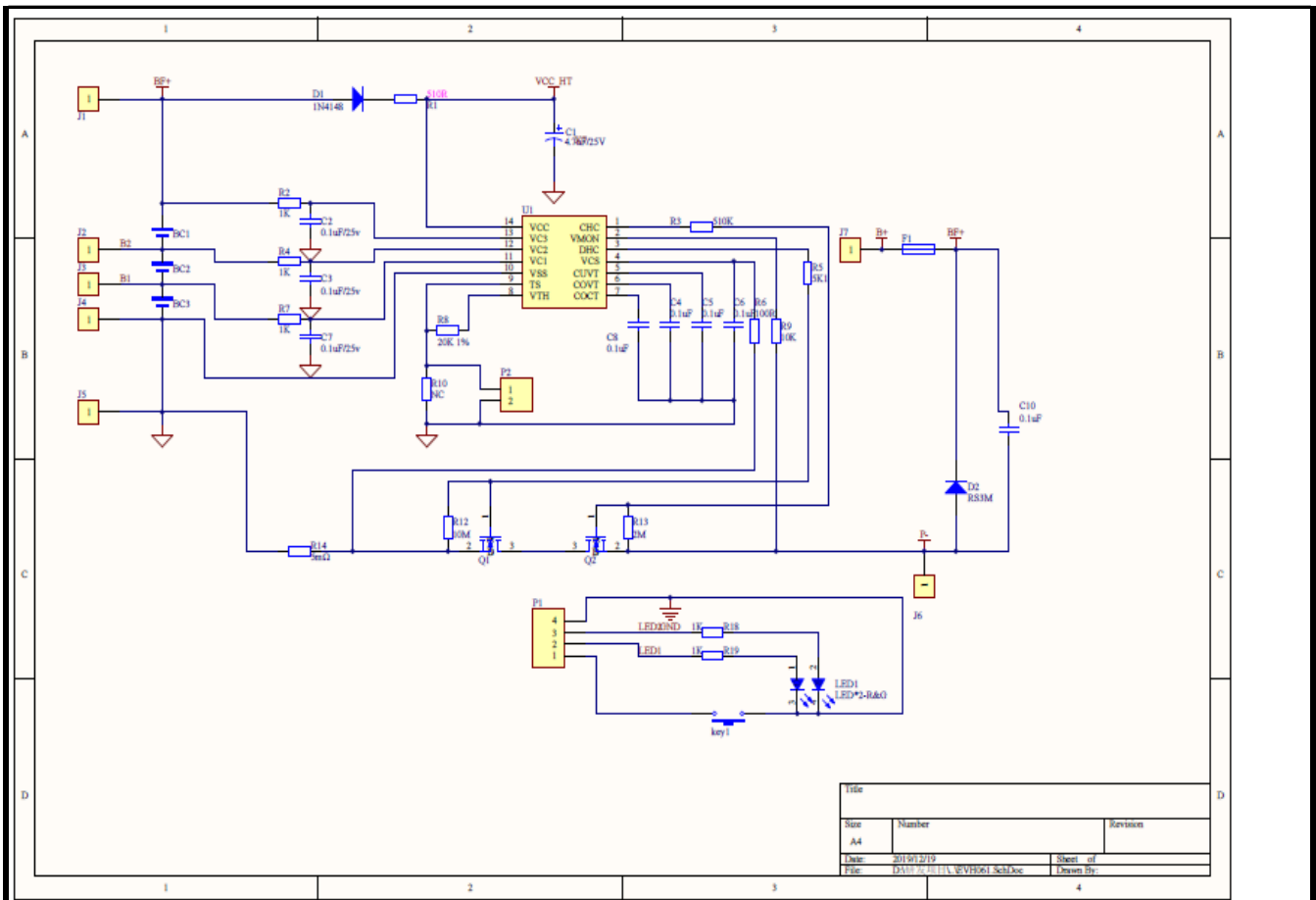
1.1.C

Wiring and connection diagrams

NOT APPLICABLE

1.1.D

Electronic boards diagrams



1.1.E

List of necessary repair and test equipment

SERVICE TOOLS



Instruction Manual



Model: EV-H061-W111

warning:

Pls take care of the instruction for future use.

- Children must be supervised by an adult. Do not allow children to play with the vacuum cleaner
- This appliance is for family use only. Do not use outdoors
- When unplugging the charger, please hold the plug, do not pull the power cord
- Do not leave the vacuum cleaner when the power is on, so as not to cause harm
- If the power cord is damaged, it must be replaced by a maintenance worker. Do not replace without permission, so as not to cause harm
- The following objects are strictly prohibited, otherwise it will damage the vacuum cleaner or cause fire, causing harm to human body.
 - Do not absorb large or sharp objects, such as glass
 - Do not absorb reactive liquids (e.g. soluble, corrosive, detergent, etc.)
 - Do not absorb flammable or explosive objects, such as gasoline, alcohol...
- Always check equipment or charger for damage.
- If there is any damage to the airframe or other places, please do not continue to use. Do not open the device or charger without permission, and do not replace the power cord by yourself. Please send the machine to professional maintenance personnel for maintenance. Do not try to repair the machine by yourself to avoid injury
- Please pay special attention not to trip the power cord when charging the machine
- Keep power lines away from hot surfaces (e.g. cooking utensils and other hot objects).
- Do not touch the charger or power cord with damp hands.
- When using a vacuum cleaner, do not aim the cleaner at people or animals.
- Please use the accessories provided.
- Please store this manual in a safe place.
- Please use the charger provided.
- Keep out of the hands of children and the elderly and infirm.
- If there is an overflow of inhaled liquid, please check whether the dust bucket is full, otherwise it will block the filter bag or seriously damage the vacuum cleaner.

button broken
-releasing button 1

Disassemble the broken button by tools → assemble a new one on the body



-releasing button 2

Unscrew the body → take out the cover of unit → disassemble the broken button → assemble a spring on new button → assemble the new button on the cover → reassemble the

cover on the body



-on/off button

Unscrew the body → take out the cover of unit → disassemble the broken button → assemble the new button on the cover → reassemble the cover on the body



Battery group broken

Arrange Charging at first make sure it is full charging ,

The operation lights stops automatically after a few seconds shining when turn on the unit

The battery is broken -change an new battery group for it

Unscrew the body → take out the cover of unit → disassemble the broken battery

→ Use an new battery group with internal cable → Assemble the battery

group into the body → screw the unit



Motor broken

Abnormal noise when turning on the vacuum

Unscrew the body → take out the cover of unit → disassemble the broken motor

→ Use an new motor with internal cable → Assemble the motor into the

body → screw the unit



Block piece of dust tank

Take out the broken one → fix the new one with the soldering iron



1.1.G

Diagnostic fault and error codes

NOT APPLICABLE

1.1.H

Component and diagnosis information

NOT APPLICABLE

1.1.I

Instructions for software and firmware (including reset software)

NOT APPLICABLE

1.1.J

Information on how to access data records of reported failure incidents stored on the product

NOT APPLICABLE

1.1.K

Technical bulletins

NOT APPLICABLE

1.1.L

Specific guidance for self-repair (recommended operations, safety and repair instruction, any implications for the guarantee)

NOT APPLICABLE

1.1.M

How to get access to professional repairers

NOT APPLICABLE

1.1.N

Failures detection and required action (consumers approach)

WARNING:**Important:**

If the suction opening of the unit, the hose or the tube is blocked, switch off the vacuum cleaner and remove the blocking substance before you start the unit again.

1. Do not operate the vacuum cleaner too close to heater or radiators.
2. Before inserting the power plug into the wall outlet, make sure that your hands are dry.
3. Before you start the unit, make sure to remove large or sharp objects that might damage the dust tank and hose.
4. When pulling out the power plug from the wall outlet, pull the plug not the power cord.
5. Do not use without all filters in place.
6. When using, if you learn of squeak from the cleaner, it must be suction appears to be reduced, so you must stop (make sure the cleaner is not plugging), then clean the all air filter.

Note:

If the supply cord is damaged, it must be replaced by manufacture, service agent or similarly qualified person in order to avoid a hazard.

1.1.0**User and maintenance instructions****USE AND CARE:**

- Do not use the appliance without its filter(s) correctly in place.
 - Do not use the appliance if its accessories are not properly fitted.
 - Do not use the appliance if the accessories or consumables attached to it are defective. Replace them immediately.
 - Do not use the appliance to gather up water or any other liquid.
 - Do not use the appliance if the on/off switch does not work.
 - Use the appliance handle/s, to catch it or move it.
 - This appliance is for household use only, not professional, industrial use.
- Store this appliance out of reach of children and/ or persons with physical, sensory or reduced mental or lack of experience and knowledge.
- Make sure that dust, dirt or other foreign objects do not block the fan grill on the appliance.
 - Use the appliance and its accessories and tools in accordance with these instructions, taking into account the working conditions and the work to be performed. Use the appliance for operations different from those intended could result in a hazardous situation.
 - Do not work on areas where there are metal objects, such as nails and/or screws.
 - Never vacuum hot or sharp objects (cigarette butts, ashes, nails, etc.). Only use the appliance for carrying out dry tasks.

ONCE YOU HAVE FINISHED USING THE APPLIANCE:

- Turn the appliance off using the on/off button.
- Unplug the appliance from the mains.
- Retract the cable by pressing the roller cable button and guide the cable into the appliance.
- The cable housing means you can remove and have available the required length of cable for working with the appliance, preventing accident risk situations.
- Clean the appliance.